

StackaStage

Unit 2 Elborough Farm, Banwell Road, Locking, Weston-super-Mare BS24 8PB

Instructions

Thank you for purchasing StackaStage.

Before you start building stages please read these instructions carefully!

Safety

StackaStage MUST be assembled in accordance with these instructions.

Do not exceed a maximum uniformly distributed load of 500KG/metre square or serious injury may occur.

Never climb up the sides of a stack of risers!

StackaStage must be assembled on a flat stable surface capable of bearing the loads that the stage will carry. Beware of assembling StackaStage on soft ground, use spreader boards where necessary.

If stages are assembled on slippery floors (polished wood for example) the stage modules must be tied together using 'E' Ties or 'U' bolts to prevent the modules from slipping apart and gaps forming in the deck. You may also wish to put the stage on a high friction surface such as rubber mats to stop the whole stage sliding about. Long thin stages, e.g. catwalks MUST be tied together with 'U' bolts.

StackaStage can be built to any height by stacking the riser sets. If stacks of riser sets are built up so that they are taller than they are wide, it may be possible to capsize the stack by sudden movements.

Riser sets can be bolted together vertically and horizontally using 'U' bolts to increase the security of the platform.

To prevent slip hazards mop up spilt liquids immediately. To reduce the likelihood of slips, StackaStage decks can be treated with a compatible anti slip floor polish.

When chairs are used on the stage, toe rails must be fitted to prevent the chairs from sliding off the deck.

If the stage is to be used for dancing, gymnastics or public access the deck should be fixed to the risers using deck screws.

Handrails should be fitted where appropriate, especially on higher stages.

Take care when handling components, stacks of risers or decks are heavy and slide over each other easily, beware of trapping your fingers or back injury when carrying or lifting.

Trolleys can be very heavy when loaded, use the wheel brakes to make sure they don't roll away on uneven floors. 6 square metre trolleys are narrower so be careful not to pull them

StackaStage is part of Avocet Engineering Services Limited.

Registered office:- Unit 2, Elborough Farm, Banwell Road, Locking, Weston-Super-Mare. BS24 8PB

Reg No. 2609175 VAT No. 567 7093 02

Tel. 01934 824092 Fax 01934 824456

Email:- sales@stackastage.com

www.stackastage.com

Patent No: GB2464476

over sideways. Never climb on trolleys. Make sure feet and hands are kept away from the wheels when the trolley is in motion.

Make sure that the stage is secure before anyone uses it!

Storage

Deck and riser boards should be stored flat to prevent warping. The StackaStage *Trolley* is designed to keep StackaStage components in good condition. When using a StackaStage trolley, assembly of stages is made much easier if all risers are stored the correct way up with the labels facing outwards so that they are all presented the same way around.

Keep all components in a dry environment. If StackaStage gets wet dry off with a towel as soon as possible. Make sure all components are completely dry before storage.

Keep StackaStage at normal room temperatures, stacking against a radiator for example may cause warping.

Assembly

Please follow the attached drawings for quick and easy assembly of StackaStage.

You may not find assembly all that easy at first, but with just a few minutes practice, quick, easy assembly becomes second nature.

There are 3 basic rules:-

1. All labels must face outwards.
2. The writing on the labels must be the right way up.
3. The deck will only fit on one way up, so if it doesn't fit, turn it over.

Stacking risers

If you want a stage which is higher than one riser you can stack as many riser sets as you require, always remembering safety considerations. Riser sets must be properly interlocked at all corners, and where necessary 'U' bolts fitted, before anyone uses the stage! Riser sets can be built up on top of one another or you can make them on the floor and then stack them. If you wish to lift assembled riser sets, gently pull opposite sides of the riser set in opposite directions so that the riser set becomes a diamond shape, this will prevent it from falling apart when you lift it.

Warranty

StackaStage is warranted for a period of 5 years from date of purchase against material and manufacturing defects. Damage due to accident, vandalism, misuse, incorrect storage, normal wear and tear or use not in accordance with these instructions is not covered by any warranty.

StackaStage is manufactured from high quality birch plywood which is a natural product. Differences in colour and grain pattern are a natural and normal feature of the material.

StackaStage is part of Avocet Engineering Services Limited.
Registered office:- Unit 2, Elborough Farm, Banwell Road, Locking, Weston-Super-Mare. BS24 8PB
Reg No. 2609175 VAT No. 567 7093 02

Tel. 01934 824092 Fax 01934 824456

Email:- sales@stackastage.com

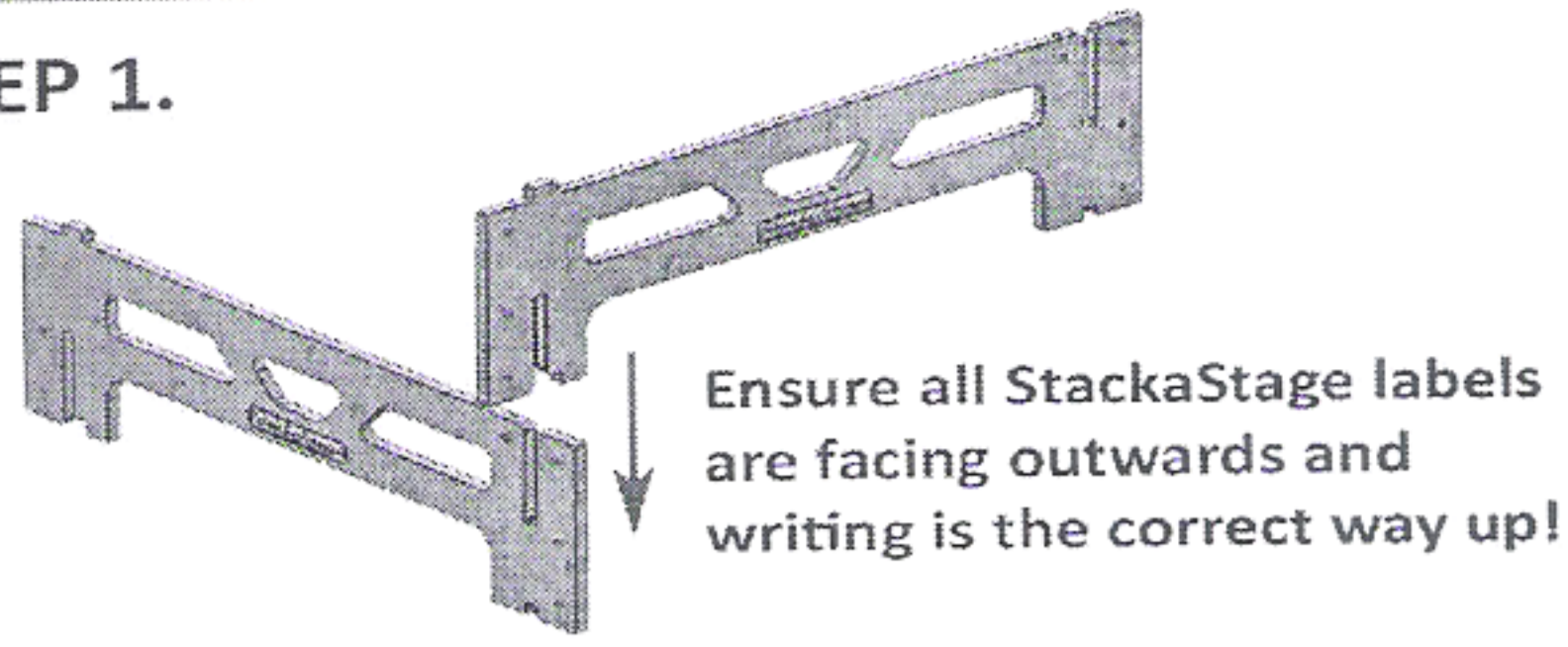
www.stackastage.com

Patent No: GB2464476

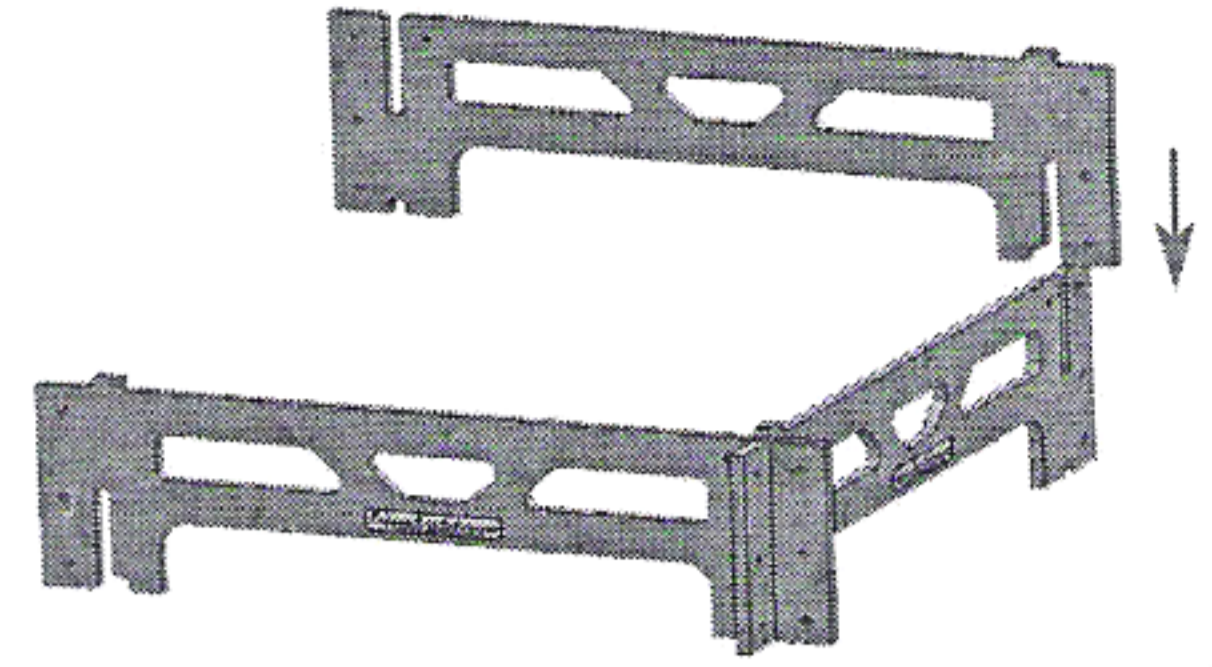
StackaStage

Assembly Instructions

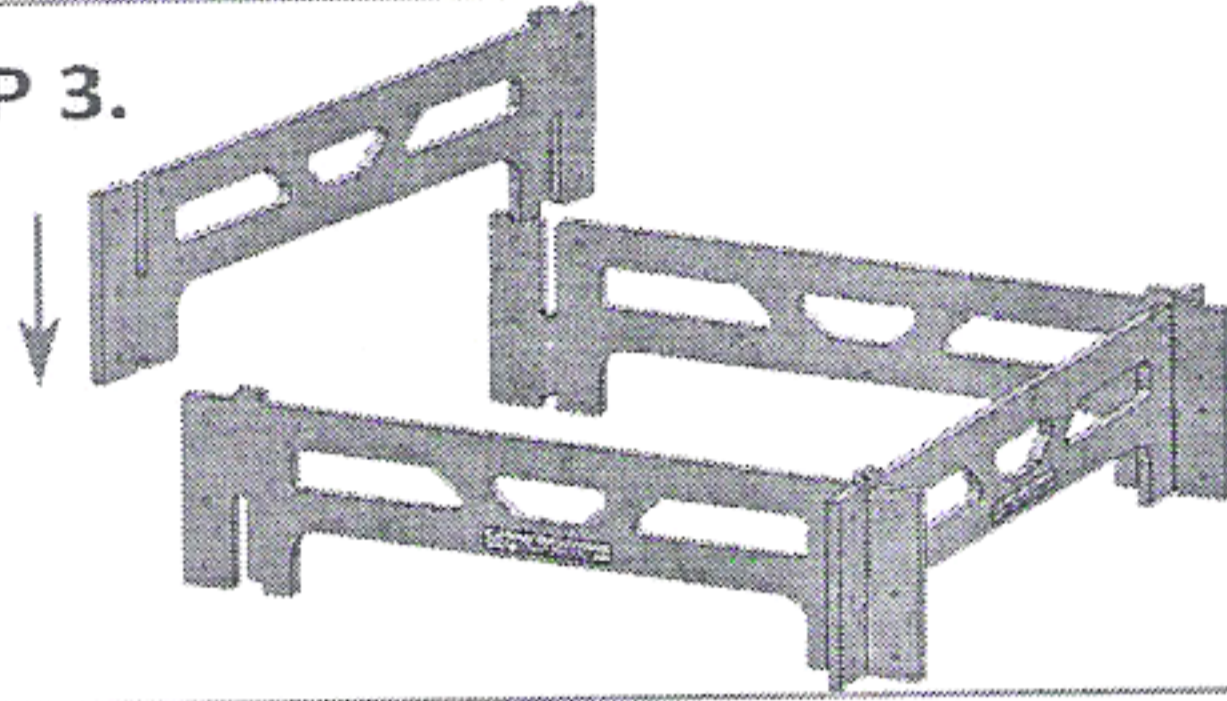
STEP 1.



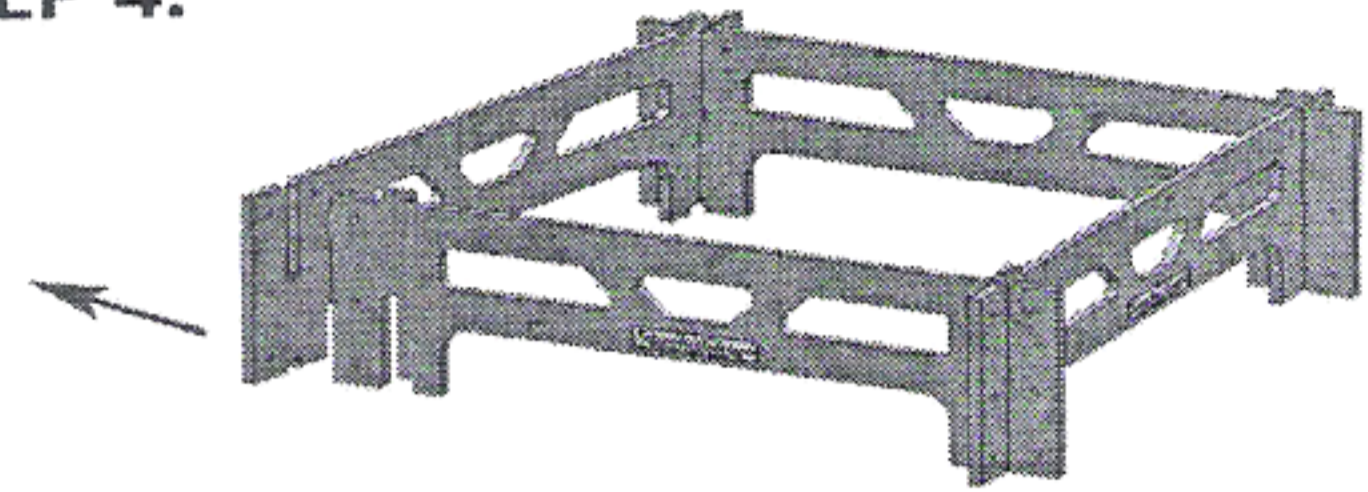
STEP 2.



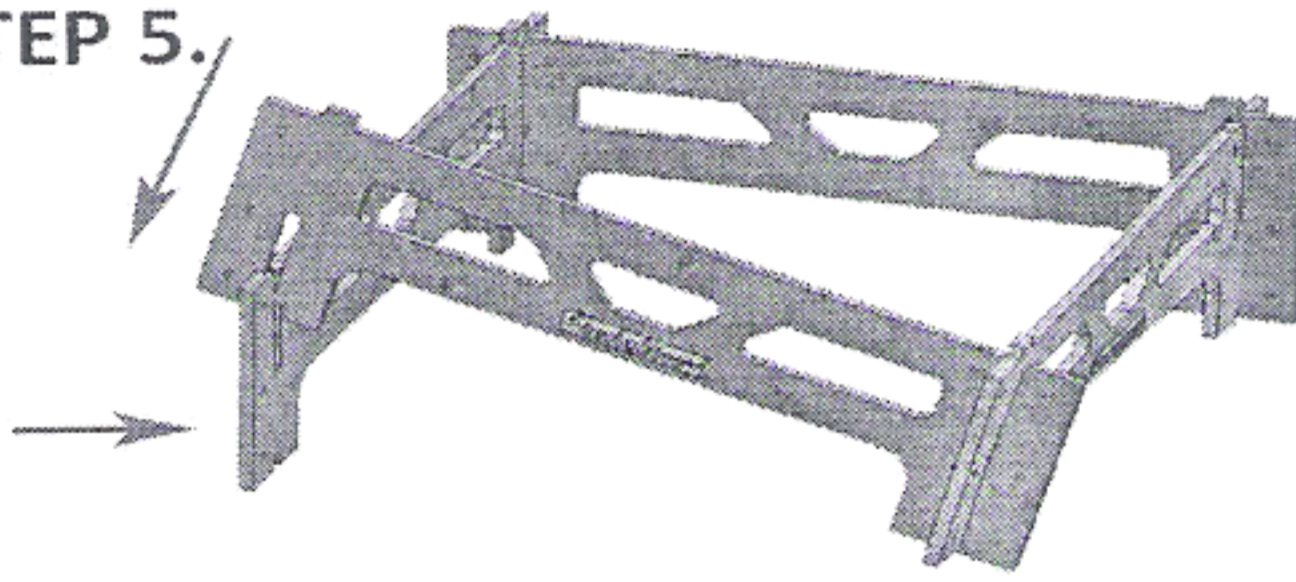
STEP 3.



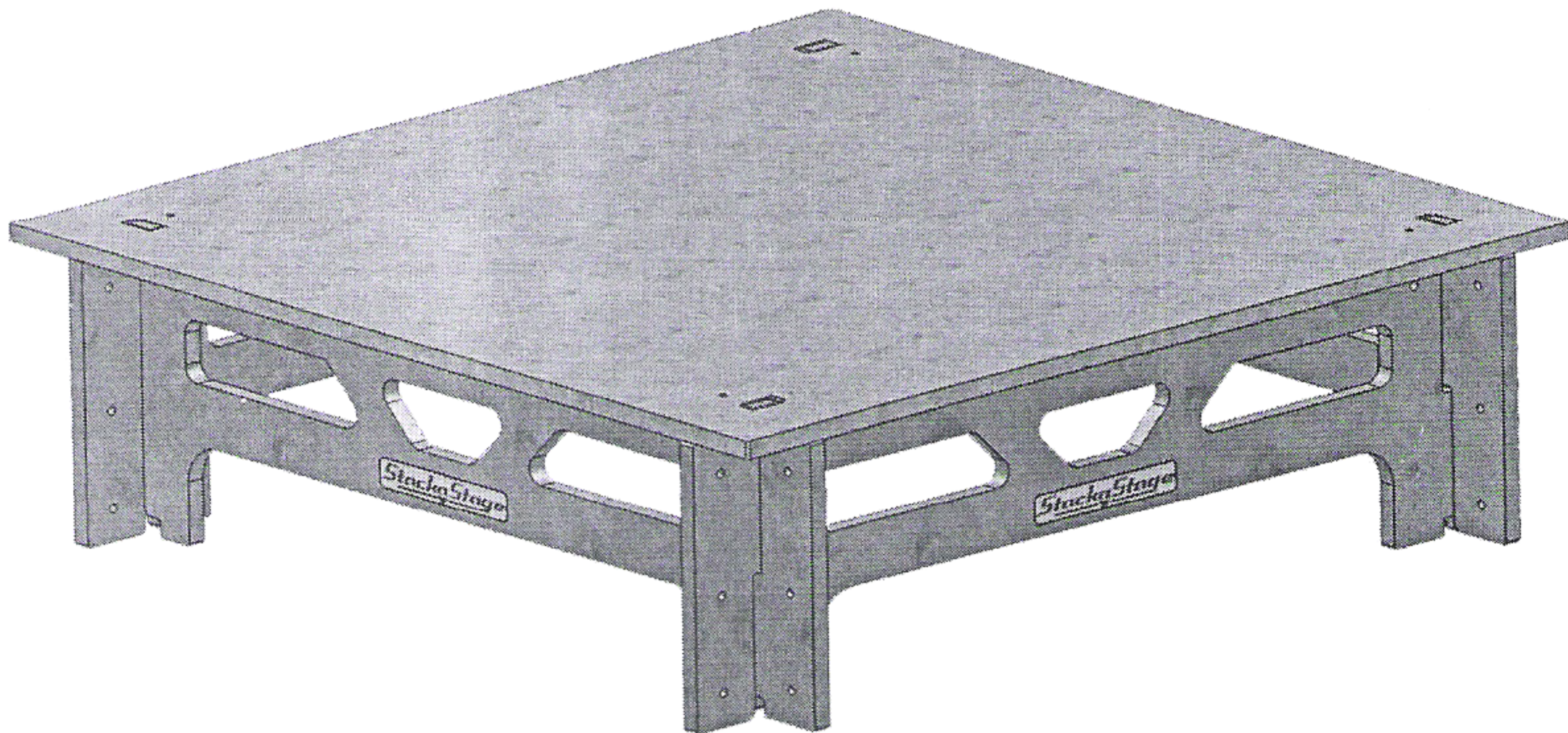
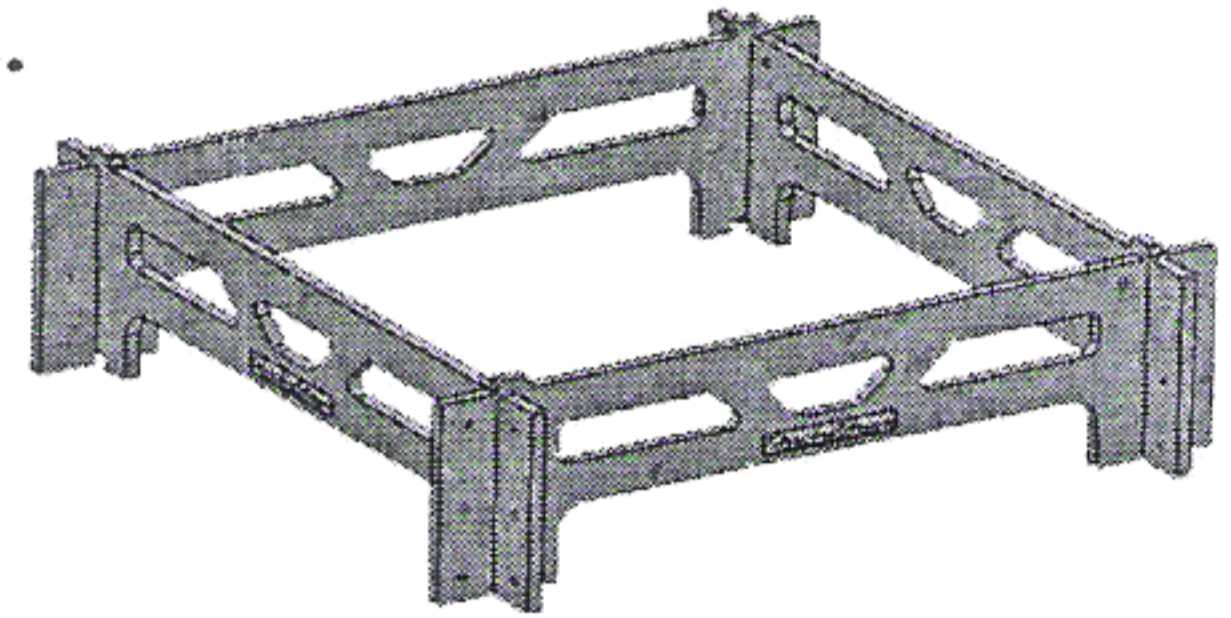
STEP 4.



STEP 5.



STEP 6.



StackaStage is part of Avocet Engineering Services Limited.
Registered office:- Unit 2, Elborough Farm, Banwell Road, Locking, Weston-Super-Mare. BS24 8PB
Reg No. 2609175 VAT No. 567 7093 02

Tel. 01934 824092 Fax 01934 824456

Email:- sales@stackastage.com

www.stackastage.com

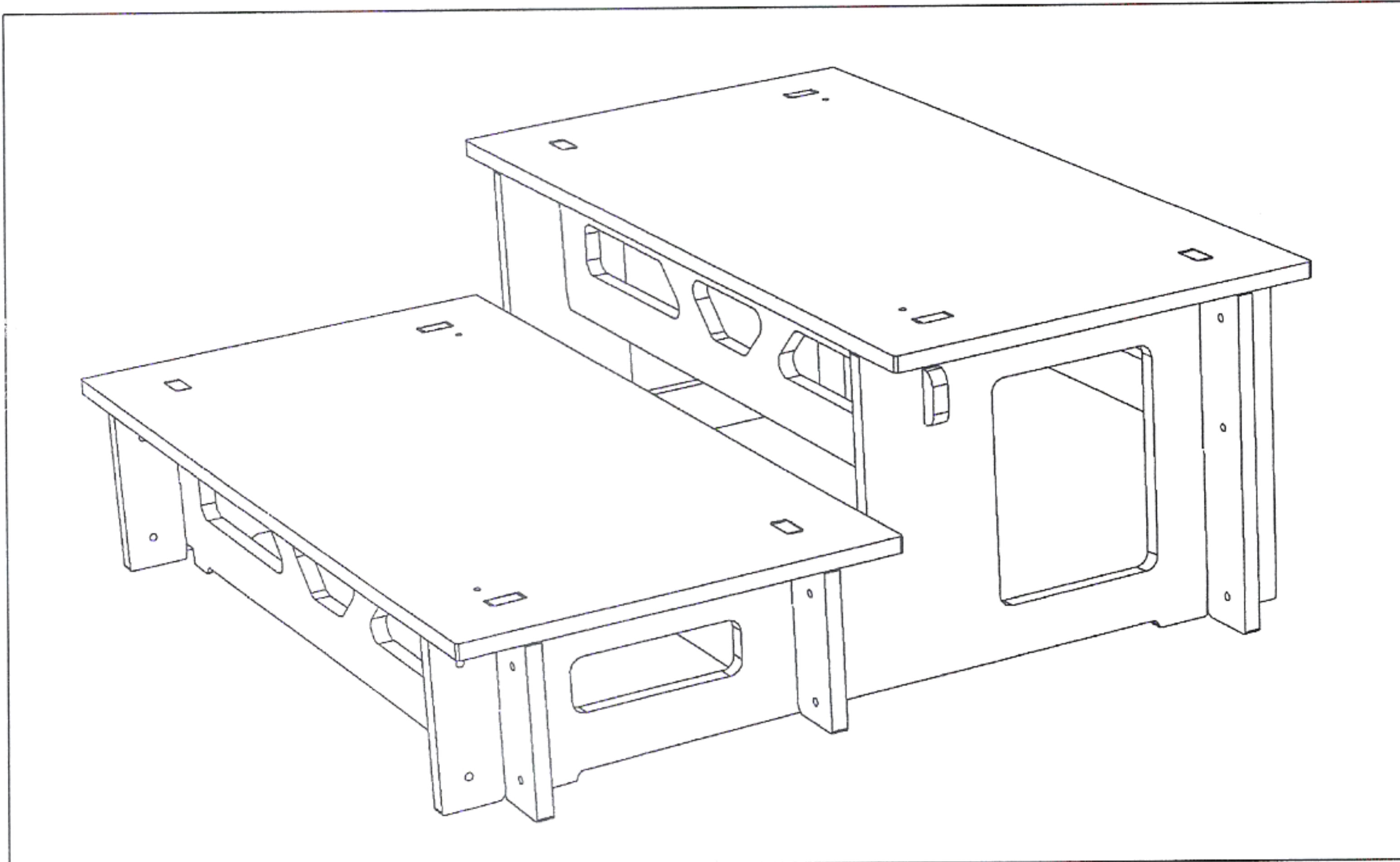
Patent No: GB2464476

StackaStage

Unit 2 Elborough Farm, Banwell Road, Locking, Weston-super-Mare BS24 8PB

Assembly instructions for 600 step unit

A step unit looks like this when it is assembled:-



The step unit uses standard risers and special risers.

The two step risers are handed (they are not the same) These must be positioned so that the labels face outwards.

A standard 200mm riser forms the front of the step riser.

A Standard 400mm riser forms the rear of the step riser.

Assemble these parts first in the same way as you would assemble a normal riser set.

You can now fit the two stretchers:- Post the 'tongue' of each stretcher into the slot in the step riser, and push the other end down over the halving joint. (These parts are quite a tight fit)

The deck boards can now be fitted. These will only fit one way up, so if they don't fit turn them over.

Hold down screws must be used with these deck boards

Join the step unit to the stage using 'U' bolts

StackaStage is part of Avocet Engineering Services Limited.
Registered office:- Unit 2, Elborough Farm, Banwell Road, Locking, Weston-Super-Mare. BS24 8PB
Reg No. 2609175 VAT No. 567 7093 02

Tel. 01934 824092 Fax 01934 824456

Email:- sales@stackastage.com

www.stackastage.com